



TEXAS EQUIPMENT

Computerized Wheel Balancer

United States

17779 Main Street Suite C
Irvine, CA 92614 USA
Tel: +1 (949) 333-3800
Fax: +1 (949) 333-3804

United Arab Emirates

P.O. Box 121971
Saif Zone A2-32
Sharjah, UAE
Tel: +971 (06) 552 98 60
Fax: +971 (06) 552 98 61

Egypt

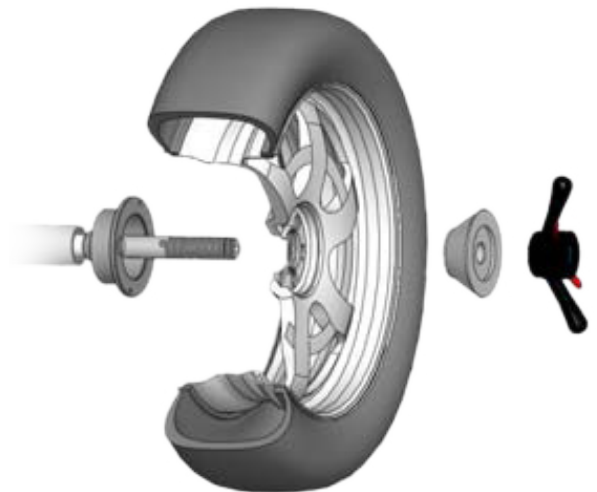
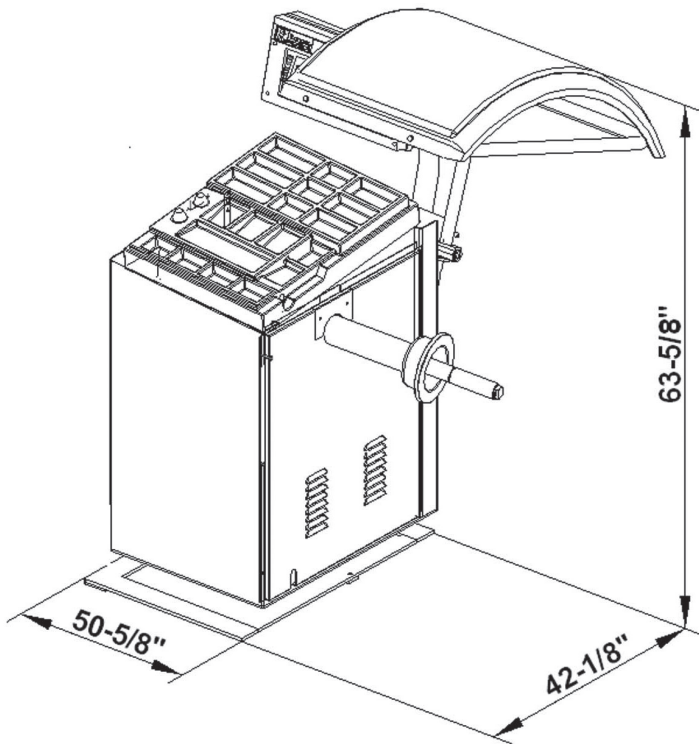
9A, Al-Mothalath
End of Mostafa El-Nahas Street
Nasr City, Cairo 11528 Egypt
Tel: +2019 550 0001
Fax: +2022 472 4346



**Model
CWB155**

Specifications:

- Maximum Wheel Diameter 39" (990 mm)
- Rim Width 1½ - 20" (38 - 508 mm)
- Rim Diameter 10 - 24" (254 - 609 mm)
- Maximum Load 155 lbs (70 kg)
- Rotation Speed 200 RPM
- Accuracy ± 1 g
- Overall Dimensions 42½" (L) x 50½" (W) x 63½" (H)
(1070 x 1286 x 1616 mm)
- Net Weight 276 lbs (125 kg)
- Shipping Weight 364 lbs (165 kg)
- Shipping Size 41¾ x 28 x 45½"
(1061 x 711 x 1159 mm)



Optional Motorcycle Adapter Kit



Features:

- Accommodates Car, Truck, & Motorcycle Tires
- Computerized Operation with LED Display
- Automated Balancing Cycle with Electronic Brake
- User Configurable Operating Procedures
- Multiple Operator Programs
- Self Calibrating
- Protective Hood for Increased Safety
- Hidden Weights (Split Function)