



TEXAS EQUIPMENT

Computerized Wheel Balancer

United States

17779 Main Street Suite C
Irvine, CA 92614 USA
Tel: +1 (949) 333-3800
Fax: +1 (949) 333-3804

United Arab Emirates

P.O. Box 121971
Saif Zone A2-32
Sharjah, UAE
Tel: +971 (06) 552 98 60
Fax: +971 (06) 552 98 61

Egypt

9A, Al-Mothalath
End of Mostafa El-Nahas Street
Nasr City, Cairo 11528 Egypt
Tel: +2019 550 0001
Fax: +2022 472 4346



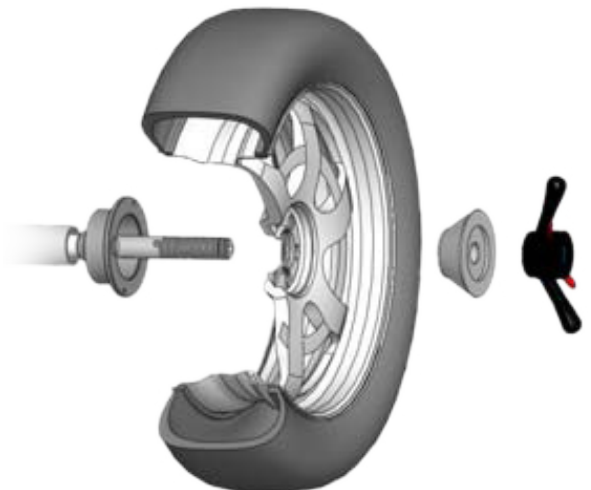
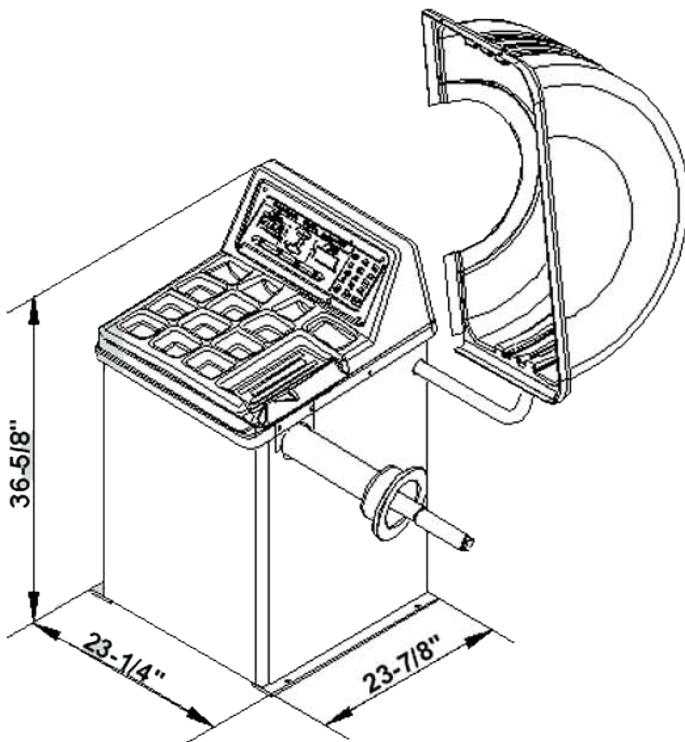
**Model
CWB145**

Specifications:

- Maximum Wheel Diameter 39" (990 mm)
- Rim Width 1½ - 20" (38 - 508 mm)
- Rim Diameter 10 - 24" (254 - 609 mm)
- Maximum Load 143 lbs (65 kg)
- Rotation Speed 200 RPM
- Accuracy ± 1 g
- Overall Dimensions 23⅞ (L) x 23¼ (W) x 36⅝" (H)
(605 x 591 x 930 mm)
- Net Weight 240 lbs (109 kg)
- Shipping Weight 341 lbs (155 kg)
- Shipping Size 36¼ x 28 x 43"
(921 x 711 x 1092 mm)



ISO



**Optional
Light Truck
Cone Set**



Features:

- Accommodates Car, Truck, & Motorcycle Tires
- Computerized Operation
- Self Calibrating
- Optional Protective Hood for Increased Safety